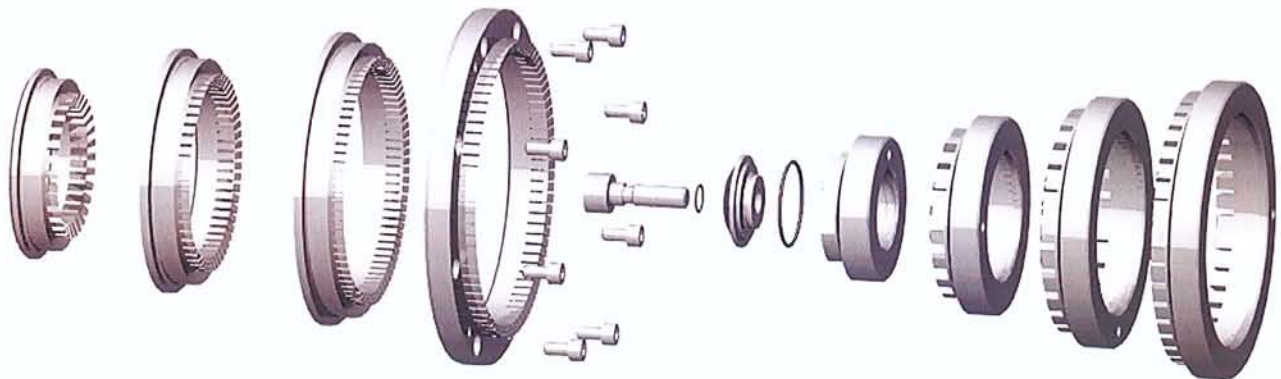
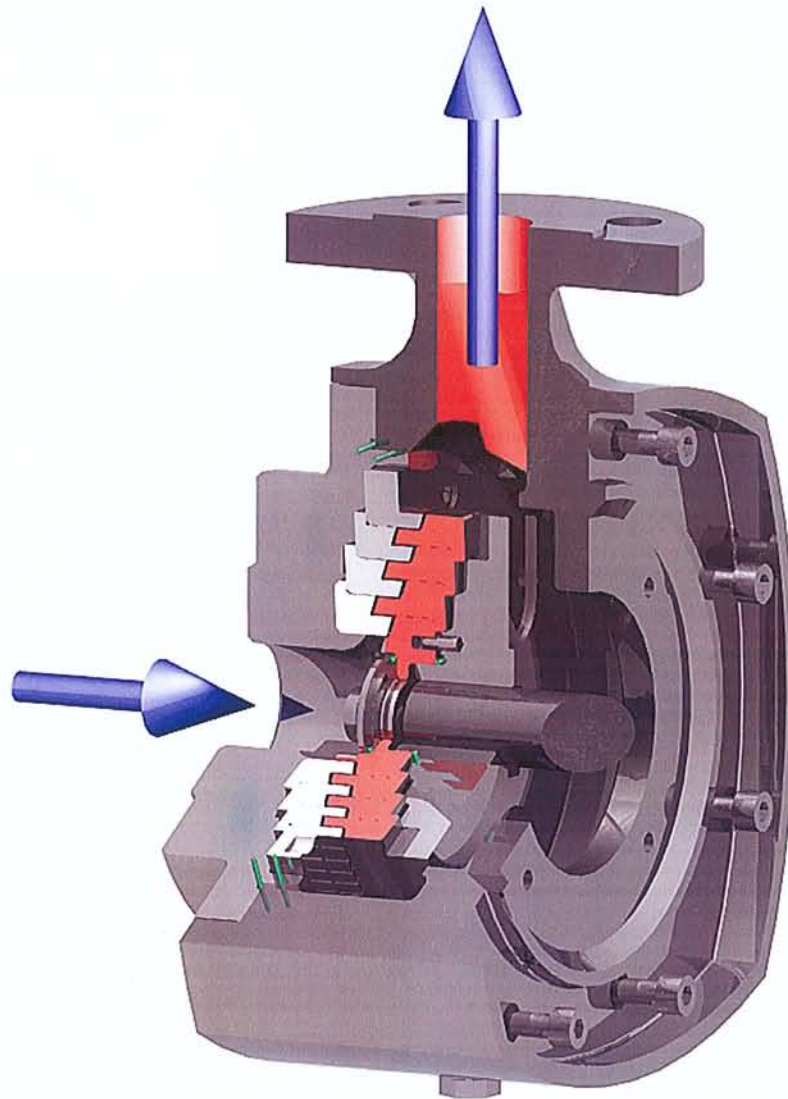




Tooth and Chamber Tool Set



Tooth and Chamber Tool Set Applications



Application Examples

- Production of bitumen emulsions
- Production of wax emulsions
- Production of polymer bitumenn, 8% or SBS max.
- Dispersion of pigments (TiO₂ or similar)
- Dispersion of bentonite
- Dispersion and liquefaction of starch
- Disagglomeration of wheat dough